



# Coming Soon!

March 31, 2010 Shizuoka Hobby Show Vol.1 2010 Page 1

**42167 1/10 R/C TRF201 Chassis Kit**

Availability: June'10

Quantity Per Carton: 4 units



**Image shows prototype. Body, rear wing, tires, motor, and R/C unit sold separately.**

1/10 scale electric powered **2WD** buggy class is one of the most exciting categories of R/C competition today. Tamiya now proudly enters a new buggy chassis, the TRF201, to challenge that class all over the world!

### About the Item

- This is a 1/10 R/C assembly model kit.
- Newly designed bath-tub type chassis with the motor mounted at rear.
- Chassis features a newly designed underside shape for an improved center of gravity whilst providing sufficient ground clearance.
- Newly designed sealed gearbox comes equipped with a ball differential.
- Newly designed front suspension arms are specific to **2WD** buggies.
- Servo saver with built-in steering crank.
- Fully adjustable suspension.
- Includes aeration dampers for off-road cars.
- Traction control slipper clutch.
- Included front wheels are specific to TRF201 (compliant with IFMAR regulation).
- Included rear wheels are common to those from DB01 and TRF511.
- Rear universal shafts.
- Body, rear wing, tires, motor, and R/C unit sold separately.**
- Please note that TRF201 has nothing in common with the DT-02.

| ESC | Transmitter | Receiver | Servo | Motor | Battery & Charger | LED | Body & Wing | Tires | Wheels |
|-----|-------------|----------|-------|-------|-------------------|-----|-------------|-------|--------|
| No  | No          | No       | No    | No    | No                | No  | No          | No    | Yes    |

-For information on new Spare, Option, and Limited Edition parts for TRF201 chassis cars, refer to pages 31-39.



# Coming Soon!

March 31, 2010 Shizuoka Hobby Show Vol.1 2010

Page 2

## 42167 1/10 R/C TRF201 Chassis Kit continued.

### About the Gearbox



Gearbox is equipped with a ball differential which features inch sized diff. balls (12pcs.), 2.6mm dia. diff screw, and newly designed thrust ball bearings. Diff. carrier features a new teeth shape to ensure a long-lasting performance. Suspension is fitted with assembly universal shafts.

### About the Front End



Aeration dampers feature new coil springs. Suspension has been designed to achieve excellent handling performance. Front axles are compatible with wheels using metric size ball bearings (For information on front axles for wheels using inch size ball bearings, refer to Item 54220 on page 37).

### About the Body & Wing



The separately available body has aerodynamics that will assist in providing superior control over your machine and features a beautiful flowing design. Separately available wing set comes with 2 kinds of wings to further customize your settings. (Refer to pages 35 and 36 for information regarding the body and wing set respectively)



# Coming Soon!

March 31, 2010 Shizuoka Hobby Show Vol.1 2010

Page 3

## 42167 1/10 R/C TRF201 Chassis Kit continued.

### About the Chassis



Chassis frame is made from fiberglass reinforced nylon resin and features a longitudinal battery position. Rear section is designed for optimized chassis roll balance. Chassis shaped is designed for an improved center of gravity whilst providing sufficient ground clearance.

### Recommended Tires

Item 54187 Dual Block Tires C (4WD/Front, 62/25)

Item 54188 Dual Block Tires C (Rear, 62/35)

### The following Spare, Option, and Limited Edition parts for the TRF201 buggy will also be released in conjunction:

- 51408 TRF201 B Parts (Motor Cover)
- 51409 TRF201 C Parts (Front Upright)
- 51410 TRF201 D Parts (Hub Carrier)
- 51411 TRF201 F Parts (Front Suspension Arm)
- 51412 TRF201 J Parts (Rear Suspension Mount)
- 51413 TRF201 M Parts (Damper Stay)
- 51414 TRF201 Front Dish Wheels
- 51415 TRF201 48 Pitch Spur Gear (79T)
- 51416 52T Ball Differential Gear Set
- 51417 6026 Thrust Bearing
- 51418 3x35mm Stainless Steel Shaft (2pcs.)
- 54210 TRF201 Body Ver.I
- 54211 TRF201 Rear Wing Set
- 54217 48 Pitch Pinion Gear (22T, 23T)
- 54218 48 Pitch Pinion Gear (24T, 25T)
- 54219 TRF201 48 Pitch Spur Gear (77T)
- 54220 TRF201 Front Axle (For 3/16" x 3/8" Bearings)
- 54221 TRF201 Front Spring Set
- 54225 TRF210 Lightweight Heatsink Motor Plate (Tentative)



# Coming Soon!

March 31, 2010 Shizuoka Hobby Show Vol.1 2010

Page 1 of 8

## OPTION AND SPARE PARTS FOR TRF201 CHASSIS

### 51408 TRF201 B Parts (Motor Cover)

Availability: June'10

Order Unit: 5 units

*Image shows prototype*



#### About the Item

-This is the B Parts (Motor Cover) for the TRF201 Chassis Kit which will be released in May.

-B Parts x 1pc.

RC

**TRF201**  
TAMIYA RACING FACTORY

### 51409 TRF201 C Parts (Front Upright)

Availability: June'10

Order Unit: 5 units

*Image shows prototype*



#### About the Item

-This is the C Parts (Front Upright) for the TRF201 Chassis Kit which will be released in May.

-C Parts x 1pc.

RC

**TRF201**  
TAMIYA RACING FACTORY

### 51410 TRF201 D Parts (Hub Carrier)

Availability: June'10

Order Unit: 5 units

*Image shows prototype*



#### About the Item

-This is the D Parts (Hub Carrier) for the TRF201 Chassis Kit which will be released in May.

-D Parts x 1pc.

RC

**TRF201**  
TAMIYA RACING FACTORY





# Coming Soon!

March 31, 2010 Shizuoka Hobby Show Vol.1 2010

Page 2 of 8

## 51411 TRF201 F Parts (Front Suspension Arm)

Availability: June'10

Order Unit: 5 units

*Image shows prototype*



### About the Item

-This is the F Parts (Front Suspension Arm) for the TRF201 Chassis Kit which will be released in May.

-F Parts x 1pc.

RC

**TRF201**  
TAMIYA RACING FACTORY

## 51412 TRF201 J Parts (Rear Suspension Mount)

Availability: June'10

Order Unit: 5 units

*Image shows prototype*



### About the Item

-This is the J Parts (Rear Suspension Mount) for the TRF201 Chassis Kit which will be released in May.

-J Parts x 1pc.

RC

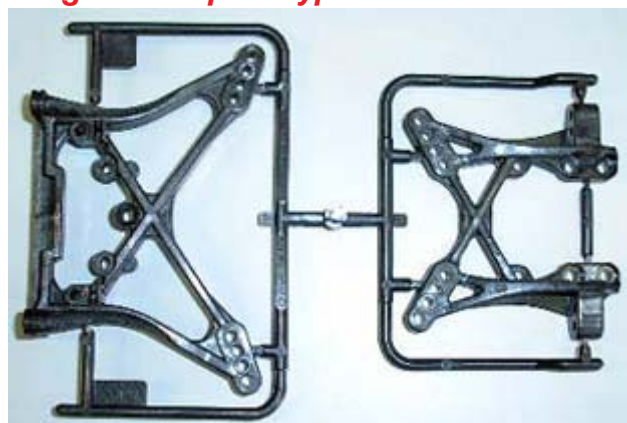
**TRF201**  
TAMIYA RACING FACTORY

## 51413 TRF201 M Parts (Damper Stay)

Availability: June'10

Order Unit: 5 units

*Image shows prototype*



### About the Item

-This is the M Parts (Damper Stay) for the TRF201 Chassis Kit which will be released in May.

-M Parts x 1pc.

RC

**TRF201**  
TAMIYA RACING FACTORY



# Coming Soon!

March 31, 2010 Shizuoka Hobby Show Vol.1 2010

Page 3 of 8

## 51414 TRF201 Front Dish Wheels

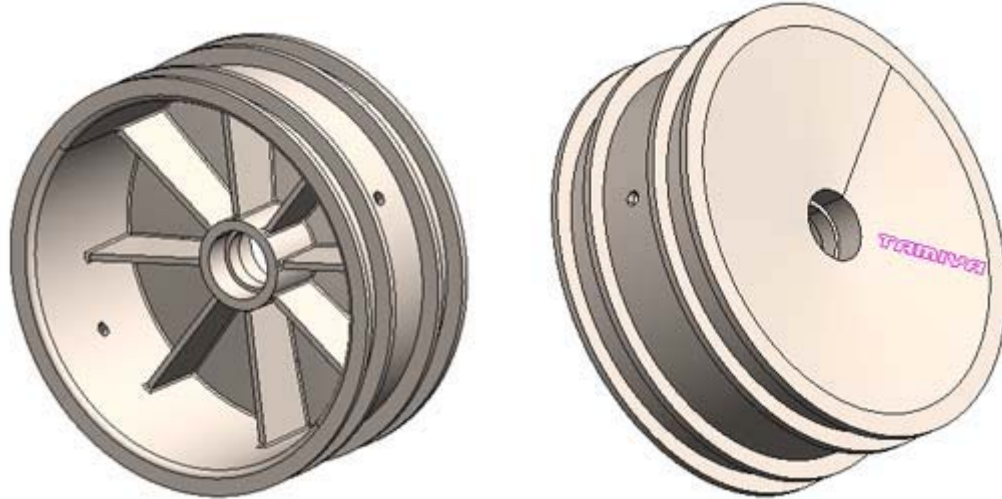
Availability: June'10

Order Unit: 5 units

RC



Image shows CAD data



### About the Item

-These are the Front Dish Wheels for the TRF201 Chassis Kit which will be released in May.

-Front Dish Wheels x 1 Pair.

## 51415 TRF201 48 Pitch Spur Gear (79T)

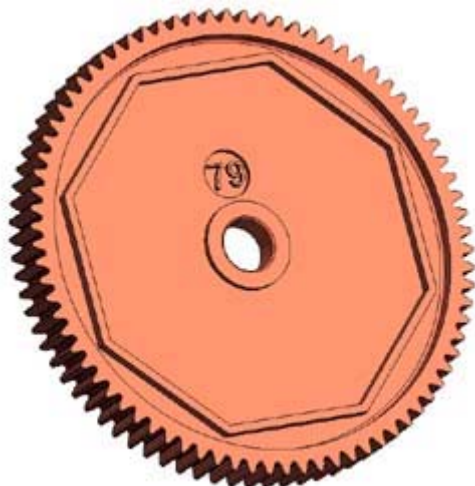
Availability: June'10

Order Unit: 5 units

RC



Image shows CAD data



### About the Item

-This is the 48 Pitch Spur Gear for the TRF201 Chassis Kit which will be released in May.

-48 Pitch Spur Gear x 1pc.

|             |    | Spur Gear |       |
|-------------|----|-----------|-------|
|             |    | 77        | 79    |
| Pinion Gear | 20 |           | 10.27 |
|             | 21 |           | 9.78  |
|             | 22 | 9.10      | 9.34  |
|             | 23 | 8.70      | 8.93  |
|             | 24 | 8.34      | 8.56  |
|             | 25 | 8.01      | 8.22  |



# Coming Soon!

March 31, 2010 Shizuoka Hobby Show Vol.1 2010

Page 4 of 8

## 51416 52T Ball Differential Gear Set

Availability: June'10

Order Unit: 5 units

*Image shows CAD data*

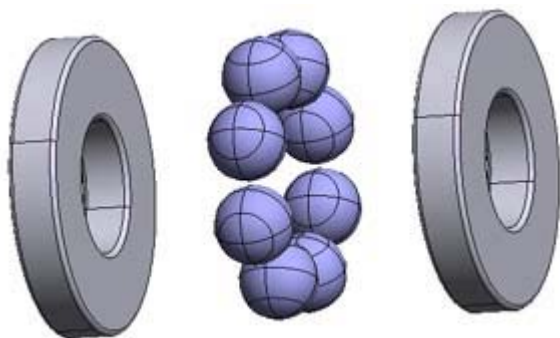


## 51417 6026 Thrust Bearing

Availability: June'10

Order Unit: 5 units

*Image shows CAD data*



## 51418 3x35mm Stainless Steel Shaft (2pcs.)

Availability: June'10

Order Unit: 5 units

*Image shows prototype*



RC

TRF201  
TAMIYA RACING FACTORY

### About the Item

-This is the 52T Ball Differential Gear Set for the TRF201 Chassis Kit which will be released in May.

-52T Ball Differential Gear Set x 1.

-Compatible with FF-03 chassis cars.

RC

TRF201  
TAMIYA RACING FACTORY

### About the Item

-This is the Thrust Bearing is for the TRF201 Chassis Kit which will be released in May.

-Ball Thrust Bearing Set x 1.

RC

TRF201  
TAMIYA RACING FACTORY

### About the Item

-These are the 3x35mm Stainless Shaft for the TRF201 Chassis Kit which will be released in May.

-3x35mm Stainless Steel Shaft x 2pcs.





# Coming Soon!

March 31, 2010 Shizuoka Hobby Show Vol.1 2010

Page 5 of 8

## 54210 TRF201 Body Ver.1

Availability: June'10

Quantity Per Carton: 6 units

RC

**TRF201**  
TAMIYA RACING FACTORY

*Image shows CAD data*



### About the Item

- This body is a perfect fit for TRF201 machines.
  - The velcro-tape secures the body to the chassis and helps to protect the R/C mechanisms against dust and debris.
  - Masking stickers for windows included.
  - Polycarbonate body is 1mm thick.
  - Wings sold separately.
- \*Special TRF201 stickers not included. (Kit only)





# Coming Soon!

March 31, 2010 Shizuoka Hobby Show Vol.1 2010

Page 6 of 8

## 54211 TRF201 Rear Wing Set

Availability: June'10

Order Unit: 1 unit

RC

**TRF201**  
TAMIYA RACING FACTORY

Image shows CAD data

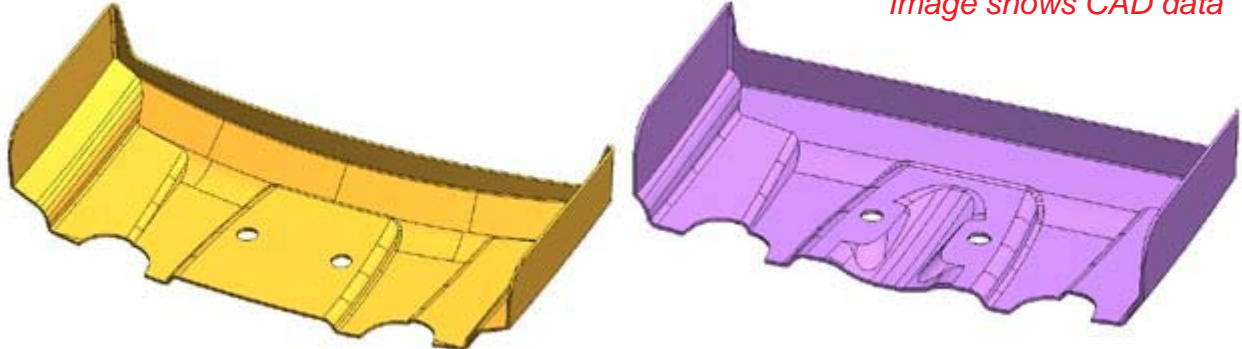


Image shows CAD data of Rounded/Wide (left) and Straight/Narrow (right) rear wings.

### About the Item

- This is a Rear Wing Set for TRF201 machines.
- Set includes Rounded/Wide and Straight/Narrow type rear wings. (1 each.)
- Adjustable down force cut line implemented.
- Can be used with TRF201, DB01, and TRF511 machines.

## 54217 48 Pitch Pinion Gear (22T, 23T)

Availability: June'10

Order Unit: 5 units

RC

**TRF201**  
TAMIYA RACING FACTORY

## 54218 48 Pitch Pinion Gear (24T, 25T)

Availability: June'10

Order Unit: 5 units

RC

**TRF201**  
TAMIYA RACING FACTORY

Image shows CAD data



### About the Items

- These 48 Pitch Pinion Gears feature newly designed teeth to reduce both noise and friction loss.
- Each pinion gear features two grub screw attachment holes to allow you to choose the best attachment position.
- Item 54217: 48 Pitch Pinion Gear (22T, 23T) x 1 each.
- Item 54218: 48 Pitch Pinion Gear (24T, 25T) x 1 each.



# Coming Soon!

March 31, 2010 Shizuoka Hobby Show Vol.1 2010

Page 7 of 8

## 54219 TRF201 48 Pitch Spur Gear (77T)

Availability: June'10

Order Unit: 5 units

**RC**



*Image shows prototype*



### About the Item

-This spur gear (77T) will make your machine go faster compared to the kit included spur gear (79T).

-Features newly designed teeth to reduces both noise and friction loss.

-48 Pitch Spur Gear (77T) x 1pc.

|                |    | Spur Gear |       |
|----------------|----|-----------|-------|
|                |    | 77        | 79    |
| Pinion<br>Gear | 20 |           | 10.27 |
|                | 21 |           | 9.78  |
|                | 22 | 9.10      | 9.34  |
|                | 23 | 8.70      | 8.93  |
|                | 24 | 8.34      | 8.56  |
|                | 25 | 8.01      | 8.22  |

## 54220 TRF201 Front Axle (For 3/16" x 3/8" Bearings)

Availability: June'10

Order Unit: 5 units

**RC**



*Image shows CAD data*



### About the Item

-This item is made with strong and durable reinforced steel which is very suitable for tough off-road R/C driving.

-This item allows attachment of wheels using inch-scaled ball bearings.



# Coming Soon!

March 31, 2010 Shizuoka Hobby Show Vol.1 2010

Page 8 of 8

## 54221 TRF201 Front Spring Set

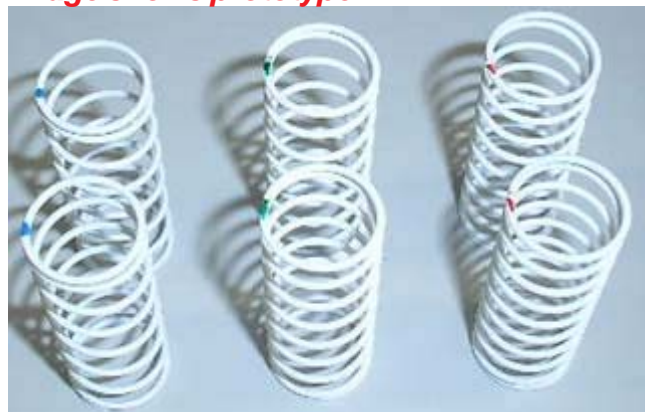
Availability: April

Order Unit: 5 units

RC

**TRF201**  
TAMIYA RACING FACTORY

*Image shows prototype*



### About the Item

- This set will provide you with a more precise handling of your machine.
- Hard (blue), medium (green), and soft (red) springs included.

## 54225 TRF201 Lightweight Heatsink Motor Plate (Tentative)

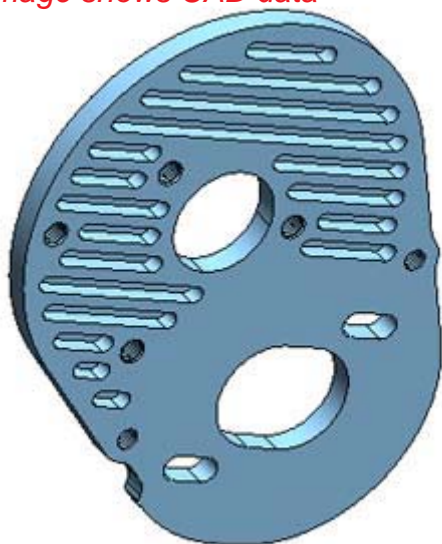
Availability: July'10

Order Unit: 5 units

RC

**TRF201**  
TAMIYA RACING FACTORY

*Image shows CAD data*



### About the Item

- This item can be used with brushed and brushless motors.
- This blue colored lightweight aluminum heatsink motor plate helps to keep your motor cool and also looks cool as a dress-up part.
- Lightweight Heatsink Motor Plate x 1pc.





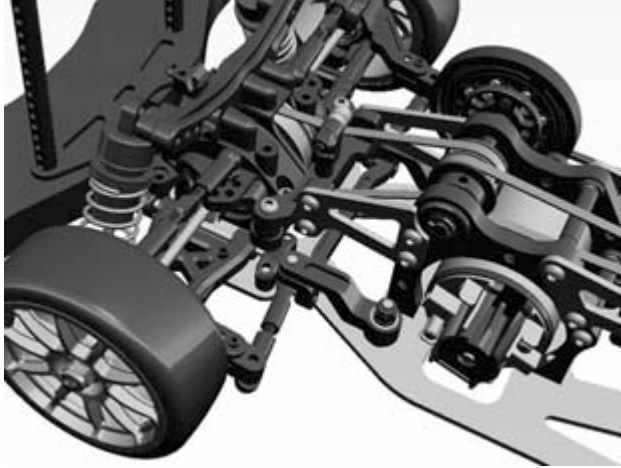


# Coming Soon!

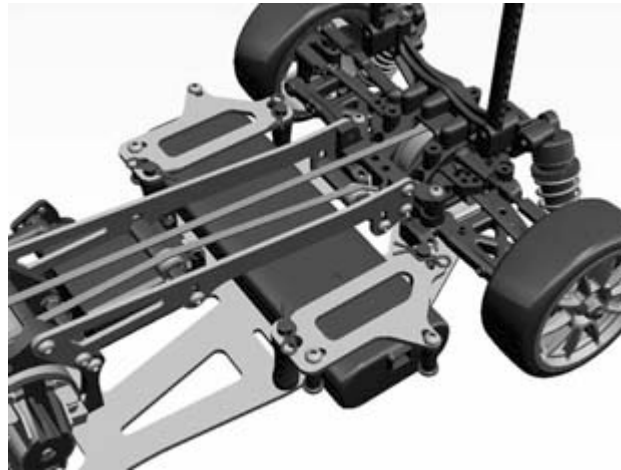
March 31, 2010 Shizuoka Hobby Show Vol.1 2010

Page 2

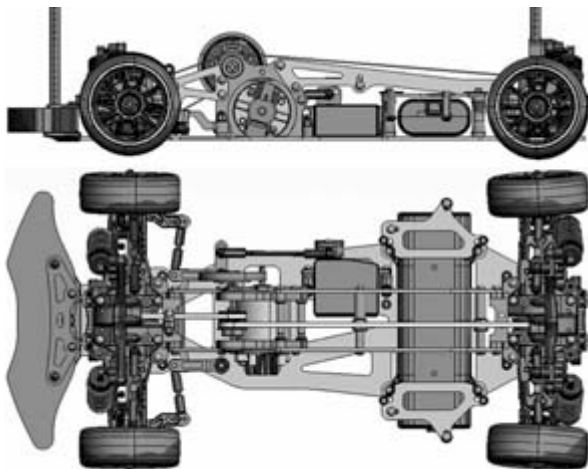
## 84132 1/10 R/C High-End Drifter (Tentative) continued.



Features TA05 bulkheads, short reversible suspension arms, TRF416 uprights. 37T front and rear pulleys and 18T center pulley are driven by new-length drive belts. Belt tensioner is also equipped.



Adjustable battery holder enables attachment of Tamiya Ni-Cd, Ni-MH, and LF battery packs (battery packs can also be secured with glass tape). R/C units are placed centrally on the chassis for optimized balance.



A wide variety of TA05 Option Parts can be equipped on this machine. (See next page for more information)



# Coming Soon!

March 31, 2010 Shizuoka Hobby Show Vol.1 2010

Page 3

## 84132 1/10 R/C High-End Drifter (Tentative) continued.

### Can be used with the following Option Parts:

|            |                                                |
|------------|------------------------------------------------|
| Item 53833 | TA05 Front One-Way Unit                        |
| Item 53845 | TA05 Carbon Damper Stay (Front)                |
| Item 53846 | TA05 Carbon Damper Stay (Rear)                 |
| Item 53882 | TA05 Carbon Mount Spacer for Damper Stay       |
| Item 53894 | TA05 Carbon Reinforced A Parts (Bulkhead)      |
| Item 53916 | TA05 Aluminum Stabilizer Holder                |
| Item 53919 | TA05 Aluminum Differential Joint               |
| Item 53990 | TA05 Aluminum Bulkhead                         |
| Item 54171 | TA05 ver.II Seperated Suspension Mounts 1X     |
| Item 54172 | TA05 ver.II Seperated Suspension Mounts 1A-1XA |
| Item 54173 | TA05 ver.II Seperated Suspension Mounts 1B-1XB |
| Item 54174 | TA05 ver.II Seperated Suspension Mounts 1C-1XC |
| Item 54175 | TA05 ver.II Seperated Suspension Mounts 1D-1XD |