



Coming Soon!

OCTOBER, 2010

Page 1 of 37

RADIO CONTROL TANKS

56032 1/16 R/C Super Sherman Full-Option Kit

Availability: January '11

Q

A

(



Images show prototype



During the 1960's, the Israeli Ordnance Corps upgraded their aging Sherman Tanks by equipping it with the powerful French 105mm CN-105-F1 tank gun. The gun barrel length was shortened by 1.5m to improve overall greater balance and a muzzle brake was also fitted to minimize the recoil effect. In 1967, during the Six-Day War, the Super Sherman found itself fighting against newer T-54/55 tanks as well as JS-3 tanks from Egyptian, Iraqi, and Syrian armies. The M-51's 105mm gun could take on these adversaries by using HEAT ammunition. After the war, these M-51 Super Shermans continued to serve with distinction until they were finally retired in the early 1980s.

About the Model

- This is a 1/16 R/C assembly kit of the Super Sherman.
- The Sherman's turret and hull details have been accurately reproduced.
- Includes DMD Control Unit (T-08) and DMD Multi-Function Unit (MF-07) which enable turret rotation, gun elevation/depression, and realistic sound and vibration actions at your fingertips.
- Exciting sound effects accompany engine operations, turret rotation, gun barrel elevation and depression.
- Metal parts such as lower hull, suspension arms, and drive sprockets ensure durability.
- Aluminum gun barrel enhances the model's realistic appearance.
- The gun barrel features recoil effects.
- Front-mounted, pre-assembled gearboxes with type 380 motors provide ample power for impressive performance.
- Requires 4-channel transmitter with self-neutral function (Futaba Attack T4VWD is recommended), battery pack, and eight R6/AA/UM3 batteries for transmitter.
- Install separately available Battle System (Item 53447) to enjoy 1 vs 1 or team tank battles with other Tamiya 1/16 R/C tanks.



Coming Soon!

OCTOBER, 2010

Page 2 of 37

EXPERT BUILT SPORT RADIO CONTROL CARS

46605 1/10 R/C XBS Subaru Impreza WRC Monte Carlo '07 (TT-01 Type-ES Chassis)

Availability: January'11

O
A



Image shows prototype



During the 2007 World Rally Championships, Subaru battled it out with Ford and Citroen for top honors. At the opening round at Monte Carlo, the Impreza WRC '07 was driven to 4th and 6th place finishes by Chris Atkinson and Petter Solberg respectively, which continued Subaru's long tradition of WRC excellence.

About the Model

- This is a 1/10 R/C XBS Ready-to-Run model.
- The XBS chassis is a streamlined version of the popular TT-01 Type-E Chassis, and is therefore compatible with a wide range of Option Parts for customization.
- Type 540 motor, ESC, servo, receiver, and 2-channel AM Adspec GP transmitter included.
- Battery pack and charger separately required.
- There are 8 versions of the 1/10 R/C XBS Subaru Impreza WRC '07 available:

Version	Band	Body Color	LED	Barcodes
C0A	01, 02	Clear	with LED	4950344466054
C1A	04, 05	Clear	with LED	
C0B	01, 02	Blue	with LED	4950344060207
C1B	04, 05	Blue	with LED	
C0C	01, 02	Clear	no LED	4950344060214
C1C	04, 05	Clear	no LED	
C0D	01, 02	Blue	no LED	4950344060221
C1D	04, 05	Blue	no LED	



Coming Soon!

OCTOBER, 2010

Page 3 of 37

**46606 1/10 R/C XBS BMW 320si WTCC 2006 Team Germany
(TT-01 Type-ES Chassis)**

Availability: January '11

O
A



Image shows prototype



2006 saw four manufacturers, BMW, Alfa Romeo, SEAT, and Chevrolet, compete for the World Touring Car Championships. With BMW having all but sown up the Manufacturer's Championship in the second last round of the season, the final race brought close to an exciting finish to see which BMW team driver would claim the Drivers' Championship. The season finished with BMW Team UK driver Andy Priaulx winning the championship by the slightest of margins, 1 point over BMW Team Germany driver Jorg Muller.

About the Model

- This is a 1/10 R/C XBS Ready-to-Run model.
- The XBS chassis is a streamlined version of the popular TT-01 Type-E Chassis, and is therefore compatible with a wide range of Option Parts for customization.
- Type 540 motor, ESC, servo, receiver, and 2-channel AM Adspec GP transmitter included.
- Battery pack and charger separately required.
- There are 8 versions of the 1/10 R/C XBS BMW 320si WTCC 2006 Team Germany available:

Version	Band	Body Color	LED	Barcodes
C0A	01, 02	Clear	with LED	4950344466061
C1A	04, 05	Clear	with LED	
C0B	01, 02	White	with LED	4950344060238
C1B	04, 05	White	with LED	
C0C	01, 02	Clear	no LED	4950344060245
C1C	04, 05	Clear	no LED	
C0D	01, 02	White	no LED	4950344060252
C1D	04, 05	White	no LED	



Coming Soon!

OCTOBER, 2010

Page 4 of 37

46607 1/10 R/C XBS Schnitzer BMW M3 Sport Evo (TT-01 Type-ES Chassis)

Availability: January '11

O
A



Image shows prototype



Making its debut at the 1987 World Touring Car Championships with Schnitzer Motorsport was the BMW M3. It was powered by a 2.5 liter 4-cylinder engine that produced an impressive 340ps. It was superbly driven by Italian driver Roberto Ravaglia who claimed the Drivers' Championship at the final race of the 1987 WTCC season.

About the Model

- This is a 1/10 R/C XBS Ready-to-Run model.
- The XBS chassis is a streamlined version of the popular TT-01 Type-E Chassis, and is therefore compatible with a wide range of Option Parts for customization.
- Type 540 motor, ESC, servo, receiver, and 2-channel AM Adspec GP transmitter included.
- Battery pack and charger separately required.
- There are 4 versions of the 1/10 R/C XBS Schnitzer BMW M3 Sport Evo available:

Version	Band	Body Color	LED	Barcodes
C0A	01, 02	Clear	no LED	4950344466078
C1A	04, 05	Clear	no LED	
C0B	01, 02	White	no LED	4950344060269
C1B	04, 05	White	no LED	



Coming Soon!

OCTOBER, 2010

Page 5 of 37

EXPERT BUILT SPORT RADIO CONTROL CARS

46608 1/10 R/C XBS Lancia Delta Integrale (TT-01 Type-ES Chassis)

Availability: January'11

O

A



Image shows prototype



From 1987 to 1992, the Lancia Delta Integrale dominated the WRC, winning 6 consecutive world championships. From 1988, the Integrale featured the uniquely shaped “blister” fenders. The same year saw the WRC entrant powered by an impressive turbocharged 8-valve 2-liter 4-cylinder fuel injected twin cam engine which produced 185ps (136kW).

About the Model

- This is a 1/10 R/C XBS ready-to-run model.
- The XBS chassis is a streamlined version of the popular TT-01 Type-E Chassis, and is therefore compatible with a wide range of Option Parts for customization.
- Type 540 motor, ESC, and 2-channel AM Adspec GP transmitter included.
- Battery pack and charger separately required.
- There are 4 versions of the 1/10 R/C XBS Lancia Delta Integrale available:

Version	Band	Body Color	LED	Barcode
C0A	01, 02	Clear	No LED	4950344466085
C1A	04, 05	Clear	No LED	
C0B	01, 02	White	No LED	4950344060276
C2B	04, 05	White	No LED	



Coming Soon!

OCTOBER, 2010

Page 6 of 37

EXPERT BUILT RADIO CONTROL CARS

57807 1/10 R/C XB Alpine A110 (M-05Ra)

Availability: January '11

O

A



Image shows prototype



About the Model

- This is a 1/10 R/C Expert Built ready-to-run model of the Alpine A110.
- All the features of the compact body are accurately reproduced in durable polycarbonate.
- Light cases and side mirrors are separately molded.
- Please note that the polycarbonate front skid plate and side guards for M-05Ra chassis are **NOT INCLUDED**.
- Short wheelbase: 210mm.
- Comes equipped with 60D Rally Block Tires.

ESC	Transmitter	Receiver	Servo	Motor	Battery & Charger	LED
Yes	Yes	Yes	Yes	Yes	No	No
TEU-104Bk	Finespec FM	TRU-05	TSU-03	Type 540		

- There is a wide variety of Option Parts available to further customize your machine.

- Item 53929 Dirt-Tuned Motor (27T)
- Item 54195 M-05 Aluminum Turnbuckle Steering Rod
- Item 54193 M-05 Aluminum Steering Post
- Item 54192 M-05 Aluminum Steering Link
- Item 54191 M-05 Aluminum Racing Steering Set



Coming Soon!

OCTOBER, 2010

Page 7 of 37

EXPERT BUILT RADIO CONTROL CARS

57808 1/10 R/C XB Datsun 240Z (TT-01D Type-E Chassis) Drift Spec

Availability: February'11

O



A



Image shows prototype



The Datsun 240Z, which is famously known in Japan as the Fairlady Z, was developed for the international market with sporty performance, a reasonable price, and superb comfort in mind. The 240Z still remains a greatly popular machine even today.

About the Model

- This is a 1/10 R/C expert built model kit.
- Length: 451mm, Width: 190mm, Height: 127mm.
- The form of the 240Z is accurately depicted with a durable polycarbonate.
- Full ball bearings.
- Based on the fun to drive TT-01D Type-E Chassis.
- Super Driftech tires (24mm width) come equipped on 24mm medium narrow silver metal-plated wheels (offset +2).
- 4WD shaft driven bathtub chassis with 4-wheel independent double wishbone suspension and sealed front and rear differential gearboxes.
- Drift spec modifications include tuned suspension, RS-540 sport-tuned motor, aluminum heat sink, CVA mini shock dampers (Super Mini), and adjustable upper arms.

ESC	Transmitter	Receiver	Servo	Motor	Battery & Charger	LED
Yes TEU-104BK	Yes TTU-05	Yes TRU-05	Yes TSU-03	Yes Sport-Tuned	No	Yes TLU-01

- LEDs to depict headlights (white) and taillights (red) are included.
- A wide variety of Option Parts are separately available to further customize your machine:
 - Item 53159 4mm Anodized Aluminum Flange Lock Nuts (Blue, 5pcs.)
 - Item 53682 Aluminum Bumper Stopper (TT-01, TGS)
 - Item 53800 Aluminum Toe-In Rear Uprights (TT-01, TGS)



Coming Soon!

OCTOBER, 2010

Page 8 of 37

57809 1/10 R/C XB Endless 370Z (TT-01D Type-E Chassis) Drift Spec

Availability: March'11

O
A



Image shows prototype



Famous Japanese brake parts manufacturer Endless adopted a fine-tuned Nissan 370Z as their official car. The car is adorned with their own stylish blue livery which also features panther drawings.

About the Model

- This is a 1/10 R/C expert built model kit.
- Length: 451mm.
- The stylish form of the 370Z is accurately depicted with a durable polycarbonate.
- Full ball bearings.
- Based on the fun to drive TT-01D Type-E Chassis.
- Super Driftech tires (24mm width) come equipped on 24mm medium narrow silver metal-plated wheels (offset +2).
- 4WD shaft driven bathtub chassis with 4-wheel independent double wishbone suspension and sealed front and rear differential gearboxes.
- Drift spec modifications include tuned suspension, RS-540 sport-tuned motor, aluminum heat sink, CVA mini shock dampers (Super Mini), and adjustable upper arms.

ESC	Transmitter	Receiver	Servo	Motor	Battery & Charger	LED
Yes TEU-104BK	Yes TTU-05	Yes TRU-05	Yes TSU-03	Yes Sport-Tuned	No	Yes TLU-01

- LEDs to depict headlights (white) and taillights (red) are included.
- A wide variety of Option Parts are separately available to further customize your machine:

Item 42102 TRF Special Damper (Hard Black Coating) 4pcs.

Item 53861 Camber Gauge (Touring Car)

Item 53862 Touring Car Height & Droop Gauge



Coming Soon!

OCTOBER, 2010

Page 9 of 37

57810 1/10 R/C XB Toyota Land Cruiser 40 (CC-01)

Availability: March'11

O

A



Image shows prototype



The Toyota Land Cruiser 40, which is particularly popular thanks to its attractive styling, still has a large fan base around the world today after its release almost 40 years ago. The Toyota Land Cruiser 40 now joins Tamiya's Expert Built line-up.

About the Model

- This is a 1/10 R/C Expert Built model kit.
- Length: 426mm, Width: 195mm, Height: 215mm, Wheelbase: 252mm.
- Durable polycarbonate shell captures the famous form of the Land Cruiser.
- Parts such as the front bumper and accurately scaled 35" tires provide a realistic scale presence.
- Large-sized block tires with realistic tread pattern are installed onto white ABS resin wheels.
- The Land Cruiser 40 is based on the tough CC-01 chassis which is equipped with a front independent double wishbone and rear 4-link rigid axle suspension setup, allowing you to enjoy exciting cross-country, off-road, and on-road R/C action.

ESC	Transmitter	Receiver	Servo	Motor	Battery & Charger	LED
Yes TEU-104BK	Yes TTU-05	Yes TRU-05	Yes TSU-03	Yes Type 540	No	Yes TLU-01

- LEDs to depict headlights (white) and taillights (red) are included.
- A variety of Option Parts are separately available to further customize your machine:

Item 53937 Tamiya LED Light Control Unit (TLU-02)

Item 53188 Cross-Country 4WD Torque Splitter Unit



Coming Soon!

OCTOBER, 2010

Page 10 of 37

RADIO CONTROL CARS

58460 1/10 R/C M-06 PRO Chassis Kit

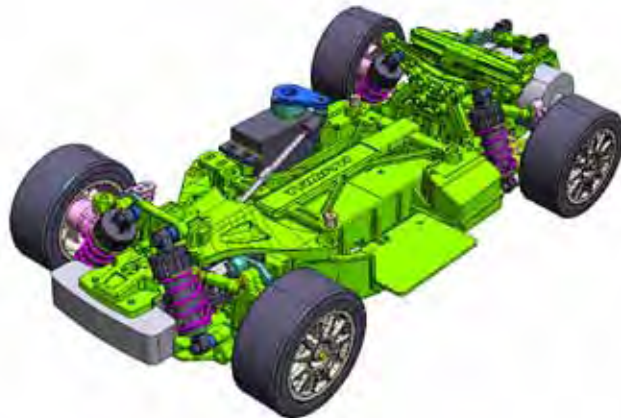
Availability: February'11

Q

A



Image shows CAD data



Tamiya is proud to announce the release of the M-06 PRO Chassis. This RR (Rear Motor, Rear Wheel Drive) chassis is a completely new design and features a bathtub chassis with a low center of gravity and optimum balance. The M-06 PRO chassis has excellent rear end stability and overall controllability and is a vast improvement over the previous generation M-04.

About the Model

-This is a 1/10 R/C assembly model kit.

-Three adjustable Wheelbase Lengths (210mm/225mm/239mm).

-The battery is longitudinally placed for optimum chassis balance.

-Comes fully loaded with over 13,000 yen's worth of Option Parts, such as:

- | | |
|--|---|
| Item 54179 M-05 Ball Bearing Set | Item 53642 5mm Alu. Ball Connector (Blue) |
| Item 42168 Touring Car Short Spring Set (Black) | Item 54000 Hi-Torque Servo Saver (Black) |
| Item 54121 Alu. Horn for Hi-Torque Servo Saver | Item 54195 M-05 Alu. Turnbuckle Steering Rod |
| Item 54193 M-05 Alu. Steering Post | Item 54192 M-05 Alu. Steering Link |
| Item 50746 CVA Super Mini Shock Unit Set (Clear) | Item 53539 5.5mm Alu. Spacer Set |
| Item 53456 TA04 Turnbuckle Upper Arm Set | Item 53159 4mm Anodized Flange Lock Nuts (Blue) |

-The M-06 comes equipped with the same gear ratios as the M-05.

-8-spoke white wheels and 60D tires included.

ESC	Transmitter	Receiver	Servo	Motor	Battery & Charger	LED	Body
No	No	No	No	No	No	No	No

-Compatible with a variety of Body Parts Sets for M-Chassis machines such as:

51402 1/10 Scale R/C Honda S800 Racing Body Parts Set

51420 1/10 Scale R/C Alpine A110 Body Parts Set

-A list of compatible bodies will be announced shortly.



Coming Soon!

OCTOBER, 2010

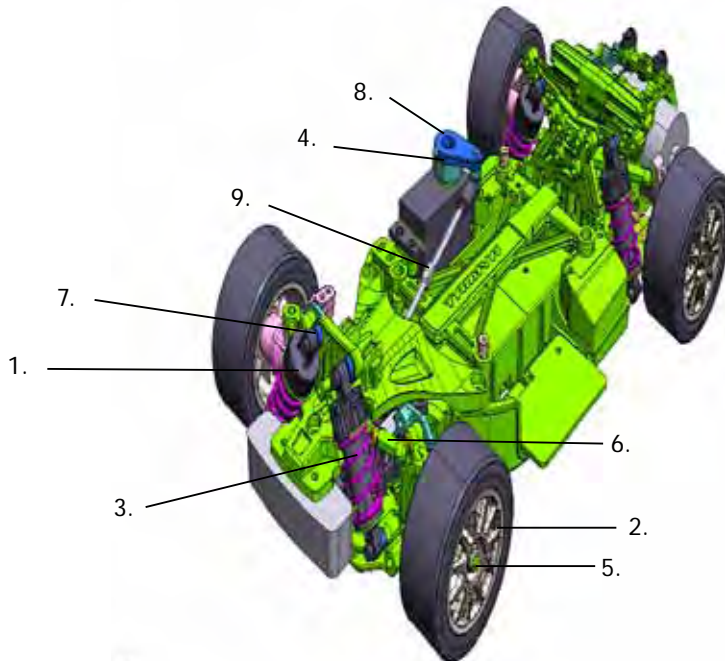
Page 11 of 37

58460 1/10 R/C M-06 PRO Chassis Kit

Availability: : YVfi Ufnf1%



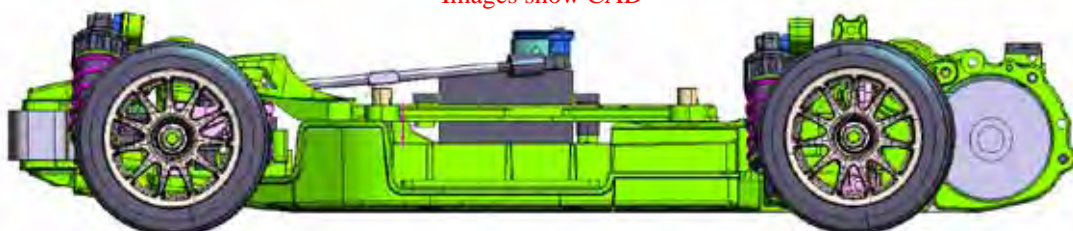
Following the substantial release of the FWD M-05, Tamiya is proud to release the all-new RWD M-06 PRO chassis. An obvious change is the polycarbonate resin bathtub chassis which displays superb torsional strength. The layout features a longitudinally-mounted battery, which improves overall weight distribution. The motor is placed at the rear for an RR (Rear-motor, Rear-drive) set-up, which offers excellent rear-end stability for improved grip. Just like the M-05, a great feature of the M-06 is that you have the choice to assemble three wheelbase lengths: 210mm, 225mm, and 239mm. The M-06 PRO chassis comes equipped with full ball-bearing specifications, CVA dampers (clear), and a variety of Option Parts to enhance handling.



Main Specifications

- CVA Super Mini Shock Unit Set (50746) (See 1.)
- 8-Spoke White Wheels and 60D Tires (See 2.)
- Touring Car Short Spring Set (Black) (42168) (See 3.)
- Hi-Torque Servo Saver (Black) (51000) (See 4.)
- 4mm Anodized Flange Lock Nuts (Blue) (53159) (See 5.)
- TA04 Turnbuckle Upper Arm Set (53456) (See 6.)
- 5.5mm Aluminum Spacer Set (53539)
- 5mm Aluminum Ball Connector (Blue) (53642) (See 7.)
- Aluminum Horn for Hi-Torque Servo Saver (54121) (See 8.)
- M-05 Ball Bearing Set (54179)
- M-05 Aluminum Steering Link (54192)
- M-05 Aluminum Steering Post (54193)
- M-05 Aluminum Turnbuckle Steering Rod (54195) (See 9.)

Images show CAD





Coming Soon!

OCTOBER, 2010

Page 12 of 37



Rear End

The RR chassis features the motor and gearbox mounted at the rear which ensures ample traction to the drive wheels. Like the M-05 chassis, three wheelbase lengths are possible by simply changing the assembly of the rear section. In addition, long rear upper arms and lay down rear dampers offer great stability and handling.

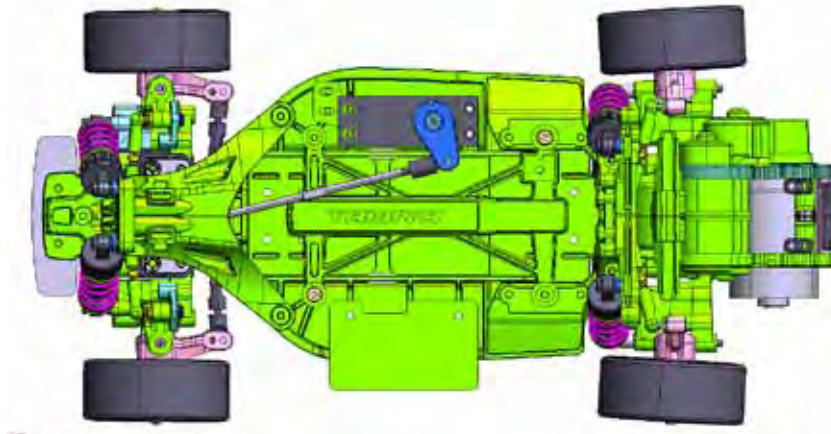
Steering

Front end shares the same steering parts as the M-05, making it possible for you to use many M-05 Option Parts. The M-06 PRO is equipped with a Hi-Torque Servo Saver and a rich assortment of aluminum parts including a horn for hi-torque servo saver, a steering link, steering posts, and turnbuckle steering rods to provide sharp steering response.



Chassis

With the longitudinal position of the battery, weight distribution does not drastically change even when you install different types of batteries such as LF and NiCd batteries. Servo, ESC, and receiver are placed on either side of the battery for optimum balance. You can change the wheelbase length by simply changing the assembly of rear section parts.



Related Products

- Item 53597 3x14mm Titanium Countersunk Hex Head Screw (5pcs.)
- Item 54000 M-Chassis Aluminum Damper Set (4pcs.)
- Item 54183 M-Chassis Reinforced Freewheel Axle Set
- Item 54194 M-05 Ball Differential Set
- Item 54216 60D Reinforced Tires Type-B (1 Pair)





Coming Soon!

OCTOBER, 2010

Page 13 of 37

ASSEMBLY KIT RADIO CONTROL CARS

58469 1/10 R/C Ford Bronco 1973 (CC-01 Chassis)

Availability: January '11

Q

A



Image shows prototype



American 4WD vehicles produced prior to 1966 were viewed as large, crude machines, but the Ford Bronco which was released that year broke the mold with its compact design and created a dynasty. The first generation "Early Broncos" were produced until 1977 and remain extremely popular even today.

About the Model

-This is a 1/10 R/C assembly kit of the Ford Bronco.

-Length: 435mm.

-The polycarbonate shell accurately captures the unique form of the Bronco.

-Front & Rear light cases and mirrors are all precisely reproduced with durable ABS resin.

-Parts such as the front bumper and large-sized block tires with realistic tread pattern provide the model with a realistic scale presence.

-Fully-enclosed front and rear gearboxes are equipped with differential gears for smooth cornering.

-Metal-plated wheels included.

-4-wheel double wishbone suspension features oil dampers for excellent shock absorption.

ESC	Transmitter	Receiver	Servo	Motor	Battery & Charger	LED
Yes	No	No	No	Yes	No	Yes
TEU-104BK				Type 540		TLU-01

-LEDs to depict headlights (white) and taillights (red) are included.

*It is also possible to assemble with LED Light Control Unit TLU-02 (Item 53937). (Sold separately)



Coming Soon!

OCTOBER, 2010

Page 14 of 37

RADIO CONTROL CELEBRATING THE 30TH ANNIVERSARY OF THE HOLIDAY BUGGY

58470 1/10 R/C Holiday Buggy (2010)

Availability: January '11

Q
A

DT-02
CHASSIS

1/10
SCALE

RC



Images show prototype mounted on DT-02 chassis.

Following the success of the “Buggy Champ,” 1980 saw Tamiya release another prominent figure of the R/C boom, the Holiday Buggy. It featured a simple bathtub design and was equipped with a low gear ratio and a compact motor making it perfect for those new to R/C. Also, when compared to the Buggy Champ, it featured a simpler construction which reduced costs to make it more accessible to the public. This was another famous machine that attracted many to the exciting world of R/C.

Now, Tamiya is proud to re-release the Holiday Buggy to celebrate its **30th year anniversary**. The Holiday Buggy now comes mounted on the DT-02 chassis which has its battery pack loaded in the center of the bathtub frame and displays excellent handling performance even on rough surfaces. R/C fans will definitely rejoice when they see its nostalgic form and relive the fun and easy-going driving performance of this machine.

About the Item

- This is a 1/10 R/C assembly kit of the special edition Holiday Buggy.
- This item meets ROHS regulations.
- Features the same ribbed front and spike rear tires as the original.
- Newly designed full-body sticker sheet included.
- Blue colored durable polyethylene (PE) body included.
- Comes mounted on the excellent handling 2WD DT-02 chassis.
- Driver figure included.
- When installing regular sized motors the following parts are required:
17T Pinion Gear (13515005), 3mm Grub Screw (50576), & Motor Plate (14305125).

ESC	Transmitter	Receiver	Servo	Motor	Battery & Charger
Yes TEU-104BK	No	No	No	Yes Type 380	No

-A wide variety of option parts are available for you to further customize your machine.



Coming Soon!

OCTOBER, 2010

Page 15 of 37

RADIO CONTROL

58471 1/10 Alpine A110 (M-05Ra Chassis)

Availability: November'11

Q

A



Image shows prototype



Tamiya is proud to introduce the second car on the M-05Ra chassis, the Alpine A110. Like many other sports car manufacturers, the Alpine was also founded by a sports car enthusiast. Originally based on a Renault, it was first released in 1963 and later took part in and dominated road races in the late 1960's and early 1970's. Some great feats of its career was when it entered the 1971 Monte Carlo Rally and won the race in difficult conditions as well as recording a victory in the European Rally Championship.

About the Model

- This is a 1/10 R/C assembly model kit.
- All the features of the compact body is accurately reproduced in durable polycarbonate, including the separately-molded light cases.
- Side mirrors separately molded.
- Polycarbonate guards protect the motor and battery pack against dirt and debris.
- Short wheelbase: 210mm.
- 60D rally block tires included.
- Install separately available Tamiya LED Light Unit (TLU-01, 53909) for exciting light action.

ESC	Transmitter	Receiver	Servo	Motor	Battery & Charger	LED
Yes TEU-104BK	No	No	No	Yes Type 540	No	No

-Use Tamiya Polycarbonate Spray Paint PS-16 Metallic Blue to depict the car's famous blue paintjob.

-A wide variety of Option Parts for M-05 chassis machines is already available for further customization:

Item 53929 Dirt-Tuned Motor (27T)

Item 54179 M-05 Ball Bearing Set

Item 54184 M-05 Aluminum Motor Plate

Item 54194 M-05 Ball Differential Set



Coming Soon!

OCTOBER, 20100

Page 16 of 37

58472 1/10 R/C Raybrig HSV-010 (TA05 ver.II Chassis)

Availability: February'11

Q
A



Image shows actual vehicle



Competing for honors in the 2010 Super GT 500 class is Team Kunimitsu's Raybrig Honda HSV-010. At the season's opening race, the Honda won an impressive 3rd place, immediately stating its intentions to challenge for the championship. After 5 rounds, it has put in consistent performances to put pressure on the title favorite GT-R teams.

About the Model

- This is a 1/10 scale R/C assembly model.
- The polycarbonate body accurately captures the sleek form of the Honda.
- Medium-narrow racing slick tires and medium-narrow 6-spoke wheels (offset +2) included.
- Polycarbonate light cases included.
- Side mirrors and rear wing are accurately reproduced with separately molded parts.
- 2-belt driven TA05 ver.II chassis offers superior control, handling, and easier maintenance.

ESC	Transmitter	Receiver	Servo	Motor	Battery & Charger	LED
No	No	No	No	Yes Type 540	No	No

- Sticker sheet and masking seals included.
- Install separately available Tamiya LED Light Unit-01 (TLU-01) for exciting lighting action.
- A wide variety of Option Parts are separately available to further customize your machine:

- Item 54170 TA05 ver.II Low Friction Drive Belt
- Item 54019 TA05-IFS Aluminum Bulkhead
- Item 53833 TA05 Front One-Way Unit
- Item 53877 TA05 Front Direct Coupling
- Item 42102 TRF Special Damper Set (Hard Black Coating) 4pcs.



Coming Soon!

OCTOBER, 2010

Page 17 of 37

58473 1/10 R/C Datsun 240Z (TT-01D Type-E Chassis) Drift Spec

Availability: February'11

Q
A



Image shows package label



The Datsun 240Z, which is famously known in Japan as the Fairlady Z, was developed for the international market with sporty performance, a reasonable price, and superb comfort in mind. The 240Z still remains a greatly popular machine even today.

About the Model

- This is a 1/10 R/C assembly model kit.
- The polycarbonate body depicts the street version 240Z. (Light pod parts included.)
- Short wheelbase: 251mm.
- 24mm medium narrow silver metal-plated wheels (offset +2) are included.
- Super Driftech tires (24mm width) included.
- Based on the lightweight and fun to drive TT-01D Type-E Chassis for effortless assembly.
- 4WD shaft driven bathtub chassis with 4-wheel independent double wishbone suspension and sealed front and rear differential gearboxes.
- Drift spec modifications include tuned suspension, RS-540 sport-tuned motor, aluminum heat sink, CVA mini shock dampers (Super Mini), and adjustable upper arms.

ESC	Transmitter	Receiver	Servo	Motor	Battery & Charger	LED
Yes TEU-104BK	No	No	No	Yes Sports-Tuned	No	Yes TLU-01

- First order of assembly kits for export will come with bonus parts (metal plated wheels, 4pcs) seen below.
- LEDs to depict headlights (white) and taillights (red) are included.
- A wide variety of Option Parts are separately available to further customize your machine:

Item 53937 Tamiya LED Light Control Unit (TLU-02)

Item 51000 Hi-Torque Servo Saver (Black)

Item 54026 TT-01 Aluminum Propeller Joint and Shaft





Coming Soon!

OCTOBER, 2010

Page 18 of 37

58474 1/10 R/C Endless 370Z (TT-01D Type-E Chassis) Drift Spec

Availability: February'11

Q
A



Image shows prototype



Famous Japanese brake parts manufacturer Endless adopted a fine-tuned Nissan 370Z as their official car. The car is adorned with their own stylish blue livery which also features panther drawings.

About the Model

- This is a 1/10 R/C assembly model kit.
- The polycarbonate body depicts the cool form of the 370Z.
- Normal wheelbase: 257mm.
- 24mm medium narrow silver metal-plated wheels (offset +2) are included.
- Super Driftech tires (24mm width) included.
- Based on the lightweight and fun to drive TT-01D Type-E Chassis for effortless assembly.
- 4WD shaft driven bathtub chassis with 4-wheel independent double wishbone suspension and sealed front and rear differential gearboxes.
- Drift spec modifications include tuned suspension, RS-540 sport-tuned motor, aluminum heat sink, CVA mini shock dampers (Super Mini), and adjustable upper arms.

ESC	Transmitter	Receiver	Servo	Motor	Battery & Charger	LED
Yes TEU-104BK	No	No	No	Yes Sport-Tuned	No	Yes TLU-01

- LEDs to depict headlights (white) and taillights (red) are included.
- Paint your machine with Item 86059 PS-59 Dark Metallic Blue. (See page 61)
- First order of assembly kits for export will come with bonus parts (metal plated wheels, 4pcs) like those seen below.**
- A wide variety of Option Parts are separately available to further customize your machine:

- Item 53937 Tamiya LED Light Control Unit (TLU-02)
- Item 54059 TT-01 Type-E Carbon Damper Stay (Front)
- Item 54060 TT-01 Type-E Carbon Damper Stay (Rear)





Coming Soon!

OCTOBER, 2010

Page 19 of 37

58475 1/10 R/C Vodafone McLaren Mercedes MP4-24 (F104)

Availability: February'11

Q
A



Images show packaging label



The McLaren MP4-24 was McLaren-Mercedes' race car for the 2009 Formula One season. Both team drivers Lewis Hamilton and Heikki Kovalainen initially had difficulty achieving good times or results, but at the German GP, after numerous upgrades, the MP4-24 started to show promise. During the break after the German GP, the car was upgraded once more and went on to show its true potential, with Hamilton winning the Hungarian GP as well as the Singapore GP. The MP4-24 finished the season strongly and claimed 3rd in the Constructors' Championship, beating Ferrari by 1 point.

About the Model

- This is a 1/10 R/C assembly model kit which depicts the car from the Singapore GP.
- The ground hugging form of the MP4-24 has been accurately reproduced with durable polycarbonate.
- The model features 3-dimensional front and rear wings, rear diffuser, side mirrors, and suspension arms for enhanced realism.
- Body can be assembled with or without the polycarbonate side pontoons.
- Synthetic rubber slick tires included.
- Sticker sheet included.
- The front tires feature non-moving rotating fairings just like the actual machine.

ESC	Transmitter	Receiver	Servo	Motor	Battery & Charger
No	No	No	No	Yes Type 540	No

-A wide variety of Option Parts are available to further customize your machine such as:

- Item 54158 F104 Aluminum Diff Housing Set
- Item 54162 F104 Carbon Rear Shaft
- Item 54202 F104 Aluminum Upper Suspension Mount
- Item 54203 F104 Aluminum Servo Mount (L/R)



Coming Soon!

OCTOBER, 2010

Page 20 of 37

58476 1/10 R/C JAS Motorsport Honda Civic Type-R R3 (FF-03 Chassis)

Availability: March'11

Q
A



Images show prototype (left) and actual vehicle (right)



The latest addition to the FF-03 line-up is a racing version of the European Honda Civic Type R. This Civic is a three door hatch back which uses a different chassis and internal layout than its Japanese counterpart. JAS Motorsport, an official Honda customer racing partner, developed this special version to compete in various racing events.

About the Model

- This is a 1/10 R/C assembly kit model of the JAS Honda Civic Type R R3.
- Brand new polycarbonate body captures the sporty form of this current Civic.
- The horizontally-mounted motor is installed at the front of the chassis, and coupled with front wheel drive, provides a distinctive driving experience.
- Short reversible suspension arms with inboard front suspension setup.
- Equipped with 1050 ball bearing specification uprights, front ball differential, and CVA shock units.

ESC	Transmitter	Receiver	Servo	Motor	Battery & Charger	LED
No	No	No	No	Yes Type 540	No	No

- Sticker sheet and masking seal included.
- A wide variety of Option Parts are for you to further customize your machine:
 - Item 54258 FF-03 Carbon Damper Stay (Rear) (see page 21)
 - Item 54259 FF-03 Carbon Motor Stay (L) (see page 21)
 - Item 54261 FF-03 Carbon Steering Link (see page 22)
 - Item 54264 FF-03 Carbon Stiffener (Rear) (Tentative) (see page 22)



Coming Soon!

OCTOBER, 2010

Page 21 of 37

58477 1/10 R/C 2WD Buggy

Availability: March'11

Q

A



No Image Available

Tamiya is proud to release this 2WD buggy which is based on the popular TRF201 (Item 42167), which was driven by by TRF team driver Lee Martin to victory at the recent 2WD Off Road European Championships. The chassis layout features a longitudinally-mounted battery with R/C units placed on either side for optimum balance. It is designed to offer low center gravity and a plenty of ground clearance and has the motor mounted at the rear to maximize traction for acceleration. This machine is perfect for drivers who are just getting into the off-road R/C scene and can serve as a great base for later upgrades.

About the Model

- This is a 1/10 R/C assembly kit model.
- Newly designed body and TRF201 rear wing included.
- Wheels and tires included.
- TRF201 Reinforced 52T Ball Differential Gear Set (Item 54262) included.
- Front and rear CVA oil dampers effectively absorb shocks.
- Sticker sheet and masking seals included.

ESC	Transmitter	Receiver	Servo	Motor	Battery & Charger
No	No	No	No	TBA	No

-By installing separately available TRF201 Option Parts, you can convert this 2WD Buggy to TRF201 (Item 42167) specifications.



Coming Soon!

OCTOBER, 2010

Page 22 of 37

SPARE PARTS FOR RADIO CONTROL CARS

51420 1/10 R/C Alpine A110 Body Parts Set

Availability: November '10

Q

A



Image shows finished model



About the Item

- Includes a clear polycarbonate body, separately molded mirror parts, light cases, and a sticker sheet.
- Can be used with M-05 chassis machines.
- Short wheelbase: 210mm.



Coming Soon!

OCTOBER, 2010

Page 23 of 37

SPARE PARTS FOR RADIO CONTROL VEHICLES

51421 1/10 R/C Castrol Honda Civic VTi Body Parts Set

Availability: November'10

Q
A



Image shows 58467



In conjunction with the recently announced FF-03 chassis, Tamiya is releasing this spare part set for the Castrol Honda Civic VTi. Wheelbase: 257mm.

Set includes clear polycarbonate body, side mirrors, sticker sheet, and window masks.



Coming Soon!

OCTOBER, 2010

Page 24 of 37

OPTION PARTS FOR RADIO CONTROL VEHICLES

54235 FF-03 Aluminum Racing Steering Set

Availability: November'10

O

A

In conjunction with the release of the FF-03 chassis, Tamiya releases this aluminum option part to use in place of the kit-standard K5 and K6 parts. The arms feature ball bearings to provide smooth operation for quick and precise steering response. Compatible with FF-03 and FF-03 PRO chassis machines.

RC

Image shows CAD drawing



Set installed onto FF-03 chassis

54241 TRF201 3x35mm Ti Coated Suspension Shaft (2pcs.)

Availability: November'10

O

A

Titanium coating results in an extremely low-friction surface, enabling smooth suspension operation. The surface is also highly resistant to dust. For TRF201 front suspension only.

RC

Image shows CAD drawing





Coming Soon!

OCTOBER, 2010

Page 25 of 37

54242 TRF201 Aluminum Rear Suspension Mount (3.0, Front)

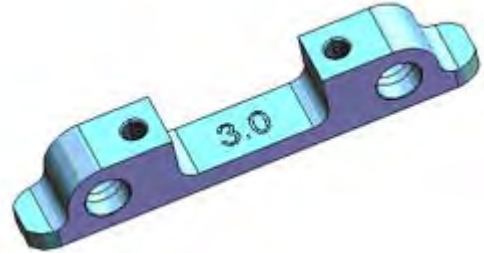
Availability: November'10

O

A

Image shows CAD drawing

This aluminum suspension mount helps ensure secure attachment of the suspension arms and its blue color will also dress up your machine.



RC

54243 TRF201 Aluminum Rear Suspension Mount (3.0, Rear)

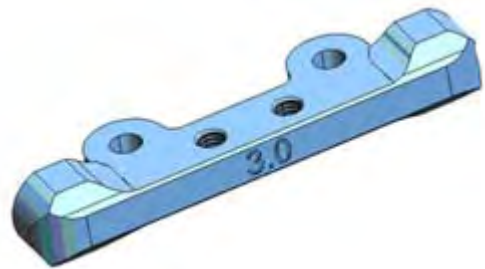
Availability: November'10

O

A

Image shows CAD drawing

This blue aluminum suspension mount helps ensure secure attachment of the suspension arms and it is also smaller in size than the kit-standard part. Furthermore, by installing it upside down you can change the position of the suspension by 1mm, thereby giving you another way to fine-tune your car's settings.



RC



Coming Soon!

OCTOBER, 2010

Page 26 of 37

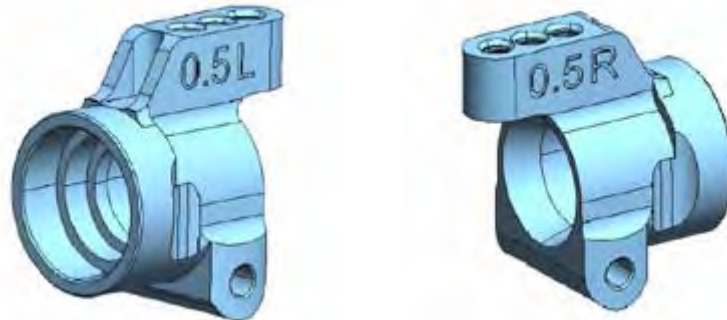
54245 TRF201 Aluminum Rear Upright (0.5°)

Availability: November'10

O
A



Images show CAD drawings



These blue uprights will enable 0.5 degrees of rear toe-in angle to enhance grip. The outermost bearing position features larger 1350 bearings (standard size is 1050 bearings), which contributes to an improved maintenance cycle. Compatible with TRF201, DB01, and TRF511 chassis machines. Set includes:

1350 bearing x2	5x8mm hex head ball connector (black) x2
5.5x3mm aluminum spacer (blue) x2	5.5x0.5mm aluminum spacer (blue) x2

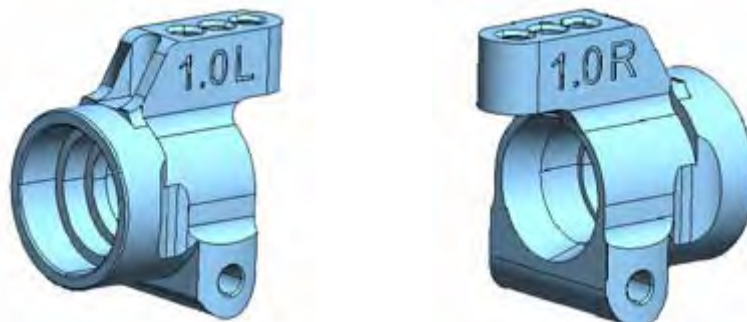
54246 TRF201 Aluminum Rear Upright (1.0°)

Availability: November'10

O
A



Images show CAD drawings



These blue uprights will enable 1.0 degree of rear toe-in angle to enhance grip. The outermost bearing position features larger 1350 bearings (standard size is 1050 bearings), which contributes to an improved maintenance cycle. Compatible with TRF201, DB01, and TRF511 chassis machines. Set includes:

1350 bearing x2	5x8mm hex head ball connector (black) x2
5.5x3mm aluminum spacer (blue) x2	5.5x0.5mm aluminum spacer (blue) x2



Coming Soon!

OCTOBER, 2010

Page 27 of 37

GRADE-UP PARTS FOR RADIO CONTROL

54251 Tamiya Brushless Motor 01 14T

Availability: November'10

Q

A

RC

54252 Tamiya Brushless Motor 01 16T

Availability: November'10

Q

A

RC



Image shows item 54132

Brushless motors have become a popular power source for electric R/C models. These motors don't have consumable brushes like brushed motors and feature a maintenance free design which offers highly efficient performance, a high RPM rate, and less noise. These motors offer performance levels between Tamiya Brushless Motor 01 12T (Item 54132) and 18T (Item 54181).

About Item 54251

-14T

-KV: 2700KV (KV denotes RPM per volt)

-Weight: 208g (excluding cables)

-Input Voltage: 6.6V-7.2V

-Use with Item 45038 Tamiya Brushless ESC 01 TBLE-01.

-Lubricate bearings with separately available Metal Bearing Lubricating Oil (Item 53508) to enhance performance and motor life.

*Not suitable for use with Rock Crawling and twin motor machines.

About Item 54252

-16T

-KV: 2400KV (KV denotes RPM per volt)

-Weight: 211g (excluding cables)

-Input Voltage: 6.6V-7.2V



Coming Soon!

OCTOBER, 2010

Page 28 of 37

OPTION PARTS FOR RADIO CONTROL CARS

54253 M-05Ra Aluminum Front Upright

Availability: November'10

O

A

M-05 Ra RC

Image shows prototype



Aluminum uprights are popular as standard upgrade parts for M-05 chassis machines. These aluminum front uprights feature a shape specially designed for the M-05Ra chassis.

About the Item

- These precision aluminum uprights feature increased rigidity compared to the kit-standard resin uprights.
- Clearance ensures no contact against the gear case and side guards.
- The eye-catching blue-anodized finish also looks cool as a dress up part.
- These uprights are 1.2g in total lighter than Item 54177 M-05 Aluminum Front Uprights.

Set Contents

- L/R Aluminum Upright x 1pc. each
- Flanged tube for kingpin & screw x 4pcs. each
- 5mm ball connector (long/short) x 2pcs. each
- Compatible with M-05Ra chassis machines.

*Note: These aluminum uprights can also be used with M-05 chassis machines but they must be used with the M-05Ra Hub Carrier included with Item 51425 M-05Ra F Parts (separately available).

*Use with separately available Item 51239 1050 Ball Bearing Set (4pcs.)



Coming Soon!

OCTOBER, 2010

Page 29 of 37

54254 TRF201 Rear Aluminum Upright (0 Degree)

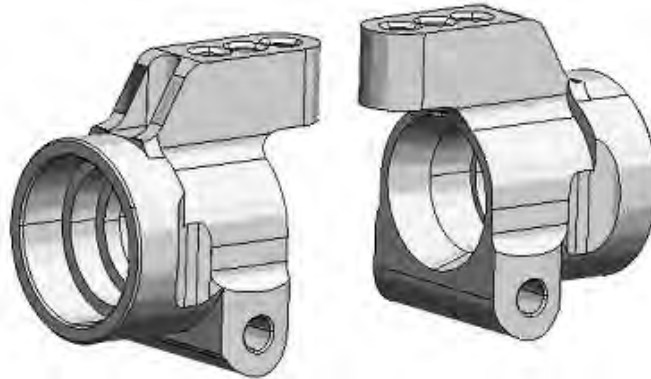
Availability: November'10

O

A



Image shows CAD data



Replace the E Parts from your TRF201 with these blue-anodized aluminum uprights which also look great as dress-up parts. The outer bearing position features larger 1350 bearings (standard size is 1050 bearings), which contributes to an improved maintenance cycle. Compatible with TRF201, DB01, and TRF511 chassis machines.

Set Contents

- 1350 Bearing x 2pcs.
- 5x8mm Hex head ball connector x 2pcs.
- 5.5x3mm Aluminum spacer x 2pcs.
- 5.5x0.5mm Aluminum spacer x 2pcs.

54256 Touring Car Medium Narrow Tire Type-C

Availability: November'10

O

A



NO IMAGE AVAILABLE

About the Item

- These tires are designed for carpet use.
- They feature integrated aramid fibre to ensure excellent grip, high endurance, and consistent performance.
- Tire width: 24mm.
- Tire x 2pcs.



Coming Soon!

OCTOBER, 2010

Page 30 of 37

OPTION PARTS FOR RADIO CONTROL CARS

54257 5mm Reinforced Adjuster (Gray / 8pcs.)

Availability: November'10

O

A

RC

Image shows item 51283

These new low friction adjusters will provide your machine's upper suspension arms and steering linkage with smoother movement.

About the Item

-5mm Reinforced Adjuster (Gray) x 8pcs.

-Can be used with TRF201, TRF511, DB-01, TRF501 machines.





Coming Soon!

OCTOBER, 2010

Page 31 of 37

OPTION PARTS FOR RADIO CONTROL CARS

54258 FF-03 Carbon Damper Stay (Rear)

Availability: January'11

O
A



Image shows CAD data of prototype and front (left) and rear (right) chassis attachment positions.



This Carbon Damper Stay will provide your machine with greater overall rigidity. It also has seven damper attachment positions to offer a greater range of setting possibilities.

About the Item

-FF-03 Carbon Damper Stay (Rear) x 1pc.

-3mm thick.

-5mm ball connector nut x 2pcs.

-3x15mm screw x 2pcs.

-Can be used with 1/10 R/C JAS Motorsport Honda Civic Type-R R3 (FF-03 Chassis) (Tentative) (see page 10) and other FF-03 and FF-03 PRO machines.

-3x15mm hex screw x 2pcs.

-3x8mm screw x 3pcs.

-3x8mm hex screw x 3pcs.

-6x7mm aluminum spacer x 2pcs.

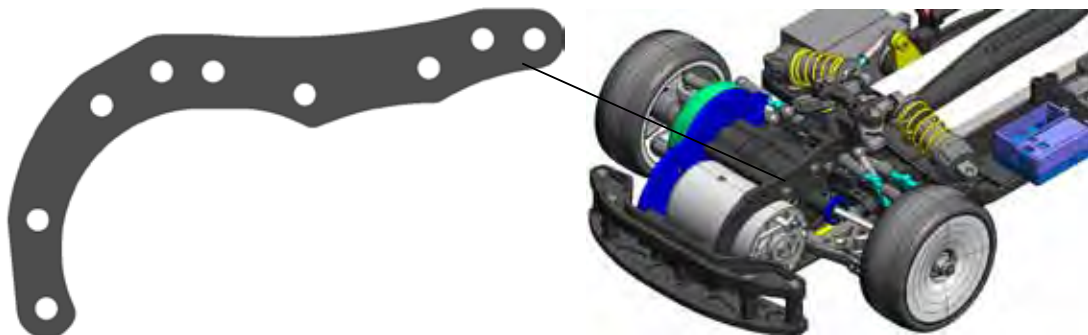
54259 FF-03 Carbon Motor Stay (L)

Availability: January'11

O
A



Image shows CAD data of prototype (left) and chassis attachment position (right).



This Carbon Motor Stay will provide your machine's gearbox axle and motor installation area with improved rigidity. It is lighter than the kit supplied M3 part and also looks great as a dress-up part.

About the Item

-Carbon motor stay x 1pc.

-3mm thick.

-Can be used with 1/10 R/C JAS Motorsport Honda Civic Type-R R3 (FF-03 Chassis) (Tentative) (see page 10) and other FF-03 and FF-03 PRO machines.



Coming Soon!

OCTOBER, 2010

Page 32 of 37

54260 TRF201 Slipper Clutch Set

Availability: February'11

O

A



Image shows CAD data



When driving your machine offroad, the engine and drive train are put under a lot of pressure from braking and jumping. This slipper clutch set will help ease the pressure and provide your machine with excellent support.

About the Item

- Spur gear set x 1.
- Can be used with TRF201 and 2WD Buggy (see page 11) machine.
- Aluminum motor plate and spur gear not included.

54266 Aluminum Upright (2.0°) Adapter for M-05Ra Chassis

Availability: February'11

O

A



Image shows prototype (left) and attachment example with Item 54267 (right).



These blue-anodized aluminum upright adapters enable the attachment of M-05 & M-06 Aluminum Rear Upright (2.0°) (54267: See page 24) to M-05Ra chassis cars. These aluminum rear uprights provide increased rigidity to the rear suspension section and offer a superior performance on both asphalt and flat-dirt surfaces.

About the Item

- Adapter x 2pcs.
- 3x6mm screw x 4pcs.
- Can be used with M-05Ra chassis cars: Use with M-05 Adjustable Upper Arms Set (54182), 1050 Ball Bearings (51239), and M-05 & M-06 Aluminum Rear Upright (2.0°) (54267)

Related Items

M-05Ra Aluminum Front Upright (54253)



Coming Soon!

OCTOBER, 2010

Page 33 of 37

54261 FF-03 Carbon Steering Link

Availability: February'11



No Image Available

Further customize your FF-03 machine with this Carbon Steering Link. When installed, it will provide your machine with improved straight driving stability and sharper steering response.

About the Item

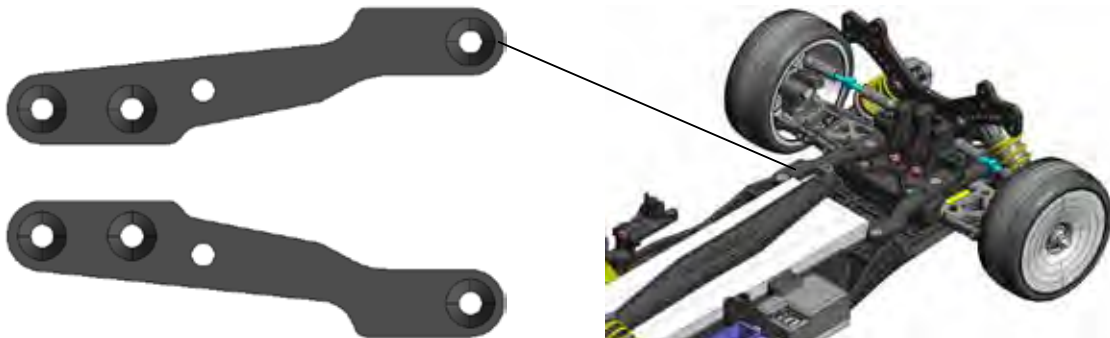
- Carbon steering link x 1pc.
- 3mm thick.
- 5mm ball connector nut x 2pcs.
- 3x8mm screw x 2pcs.
- 630 flanged bearing x 2pcs.
- Can be used with 1/10 R/C JAS Motorsport Honda Civic Type-R R3 (FF-03 Chassis) (Tentative) (see page 10) and other FF-03 and FF-03 PRO machines.
- 3x8mm hex screw x 2pcs
- 3x10mm screw x 2pcs.
- 3x10mm hex screw x 2pcs.
- 5.5x1.0 setting spacer x 2pcs.
- 3x5x0.2mm shim x 6pcs.

54264 FF-03 Carbon Stiffener (Rear)

Availability: February'11



Image shows CAD data of prototype (left) and chassis attachment position (right).



These 3mm thick carbon stiffeners for FF-03 machines will provide your machine with improved chassis rigidity and will help improve the effect of your dampers.

About the Item

- FF-03 Carbon Stiffener (L) x 1pc.
- 3x8mm screw x 4pcs.
- Can be used with 1/10 R/C JAS Motorsport Honda Civic Type-R R3 (FF-03 Chassis) (Tentative) (see page 10) and other FF-03 and FF-03 PRO machines.
- FF-03 Carbon Stiffener (L) x 1pc.
- 3x10mm screw x 2pcs.



Coming Soon!

OCTOBER, 2010

Page 34 of 37

54262 TRF201 Reinforced 52T Ball Differential Gear Set

Availability: November'10

O

A



Images show CAD data

This is a reinforced 52T Ball Differential Gear Set for the TRF201 Chassis Kit.

-52T Ball Differential Gear x 1pc.

-Idler gear x 1pc.

-Compatible with TRF201, FF-03 PRO, and FF-03 chassis machines.

54263 TRF201 Reinforced Lower Deck

Availability: November'10

O

A



**NO IMAGE
AVAILABLE**

Compared to the kit included lower deck, this polyurethane-glass reinforced lower deck will provide your machine with superior pitch and chassis roll rigidity which will lead to improved handling, traction, and suspension effects. This reinforced lower deck will also provide your machine with finer setting possibilities.

-Lower deck x 1pc.

-Compatible with TRF201 chassis machine.

54265 TRF201 Reinforced F Parts (Front Suspension Arms)

Availability: November'10

O

A



Image shows item 51411



Compared to the kit included front suspension arms, these reinforced suspension arms feature increased rigidity which will improve your machines steering response.

-F Parts x 1pc.

-Compatible with TRF201 chassis machine.



Coming Soon!

OCTOBER, 2010

Page 35 of 37

54267 M-05 & M-06 Aluminum Rear Upright (2.0°)

Availability: March'11

O
A



Image shows prototype (left) and attachment example with Item 54266 (right).



These blue-anodized aluminum uprights provide increased rigidity to the rear suspension section and offer a more precise suspension movement and superior performance.

About the Item

- These aluminum rear uprights feature 2.0° toe-in angle (same as kit standard resin uprights).
- When installed onto M-05 chassis, rear toe-in angle will be 2.0°.
- When installed onto M-06 chassis, rear toe-in angle will be 3.5°.
- Aluminum Rear Upright (2.0°) L x 1pc.
- Aluminum Rear Upright (2.0°) R x 1pc.
- Can be used with M-05, M-05Ra, M-05PRO, M-06PRO, and M-06 chassis cars.
- For M-05 chassis cars, use with M-05 Adjustable Upper Arm Set (54182) and 1050 Ball Bearings (51239).
- For M-05Ra chassis cars use with M-05 Adjustable Upper Arm Set (54182), 1050 Ball Bearings (51239), and Aluminum Rear Upright (2.0°) Adapter for M-05Ra Chassis (54266: See page 23).
- For M-06PRO and M-06 chassis cars, use with 1050 Ball Bearings (51239).

54268 M-06 Aluminum Motor Mount

Availability: March'11

O
A



Image shows prototype



This is an Aluminum Motor Mount for M-06 chassis machines. It is made with a lightweight and highly durable blue anodized duralumin. It can also be used in conjunction with Item 53924 DF-03 Heat Sink Bar Set to help dissipate heat from the motor.

About the Item

- Motor mount x 1pc.
- Aluminum collar (S) x 1pc.
- Aluminum collar (L) x 1pc.
- 3mm nylon nut x 1pc.
- 3x12mm screw x 1pc.



Coming Soon!

OCTOBER, 2010

Page 36 of 37

54269 M-06 Aluminum Gearbox Plate

Availability: March'11

O

A

Image shows prototype



This is an Aluminum Gearbox for M-06 chassis machines. It is made with a lightweight and highly durable blue anodized duralumin and provides your gearbox with greater rigidity.

About the Item

- Gearbox x 1pc.
- Aluminum gearbox plate (S) x 1pc.
- Aluminum gearbox plate (L) x 1pc.



54270 M-06 Aluminum Servo Mount

Availability: March'11

O

A

Image shows prototype



This is an Aluminum Servo Mount for M-06 chassis machines. It is made with a lightweight and highly durable blue anodized duralumin. It also comes with shims to allow you to adjust the height of your servo.

About the Item

- Servo mount x 1pc.
- 1.5mm Aluminum shim x 2pcs.
- 3mm washer x 2pcs.
- 3x10mm screw x 2pcs.





Coming Soon!

OCTOBER, 2010

Page 37 of 37

54271 M-06 Ti Screw Set

Availability: March'11



No Image Available

This is a Titanium Screw Set for M-06 chassis machines. This set will save you approximately 20g in comparison with the kit-standard screws. There are a total of 84 screws included in the set.

Set Contents

- | | |
|---------------------------|---------------------------|
| -3x6mm screw x 2pcs. | -3x8mm screw x 7pcs. |
| -3x10mm screw x 42pcs. | -3x12mm screw x 13pcs. |
| -3x15mm screw x 10pcs. | -3x18mm screw x 2pcs. |
| -3x25mm screw x 1pc. | -3x8mm hex screw x 2pcs. |
| -3x10mm hex screw x 3pcs. | -3x12mm hex screw x 2pcs. |